

## Handling System for Rack Type Pre-wash Table with Sink and Scrape Hole, Left to Right, 1700mm

ITEM # \_\_\_\_\_

MODEL # \_\_\_\_\_

NAME # \_\_\_\_\_

SIS # \_\_\_\_\_

AIA # \_\_\_\_\_


**865413 (BHRPTBH16L)**

 Prewash table with bowl  
and hole for Rack Type  
Dishwasher, Left>Right, 1700  
mm

### Short Form Specification

**Item No.** \_\_\_\_\_

Designed for rack type dishwashers. Constructed in 304 AISI stainless steel. Integrated splashback.

N. 2 square 40x40mm square legs with height-adjustable feet. Sink size 600x450x300mm with overflow pipe and drain hole. Waste scraping hole with a rubber ring.

Basket direction: from left to right.

### Main Features

- Supplied knocked-down and easy to assemble.
- Designed for 500x500 mm dishwashing racks.
- The table is intended to be directly connected with the rack type in the loading side from left to right direction.
- Suitable to be installed alone with the rack type dishwasher to save space.

### Construction

- 304 AISI stainless steel construction throughout.
- Stainless steel feet 50 mm adjustable in height to ensure that tables drain back into the dishwasher.
- Equipped with scrape hole.
- Included splashback to prevent water spatter.
- Deep anti-drip profiles completely folded with lower edge for safe and easy cleaning.
- All surfaces smooth with polished finish.
- 40x40 mm square tubular legs in AISI 304 stainless steel.
- To be secured to the dishwasher and fitted with one pair of legs at the other end.
- Optionally equipped with undershelf, pre-rinse unit, strainer basket and scrap plate.

### Sustainability

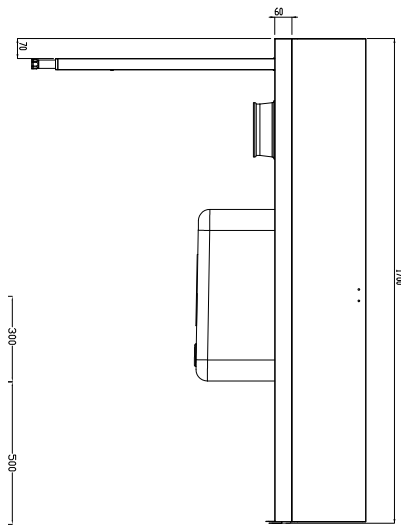
- Stainless steel feet 50 mm adjustable in height to align the operation height between the dishwasher and table as well as to ensure that tables drain back into the dishwasher.

### Optional Accessories

- 2 legs for floor mounted storing shelf PNC 855296
- Dish scraper PNC 855297
- Floor fastening kit for 2 square legs PNC 865386
- Removable bridge table, 800 mm PNC 865418
- Removable bridge table with hole, 800 mm PNC 865419
- Wall/floor mounted storing shelf, 1600 mm PNC 865421
- Undershelf for dishwasher table, 1700 mm PNC 865483

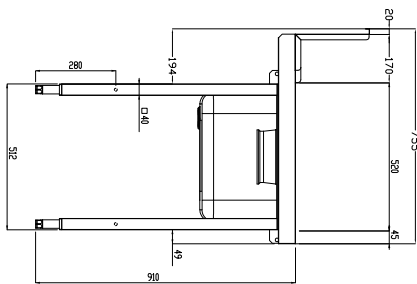
APPROVAL: \_\_\_\_\_

Front


**Key Information:**

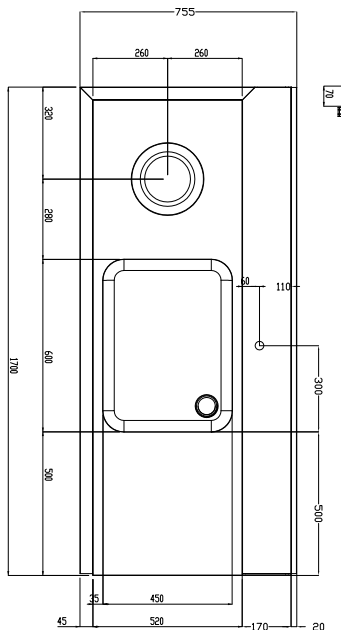
<b>External dimensions, Width:</b>	
<b>865413 (BHRPTBH16L)</b>	1700 mm
<b>External dimensions, Depth:</b>	755 mm
<b>External dimensions, Height:</b>	1170 mm
<b>Net weight:</b>	30 kg
<b>Splashback Dimensions, Height:</b>	260 mm
<b>Basin dimensions:</b>	

Side



D = Drain

Top



Handling System for Rack Type  
Pre-wash Table with Sink and Scrape Hole, Left to Right, 1700mm

The company reserves the right to make modifications to the products without prior notice. All information correct at time of printing.